

x1



x2



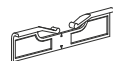
x2



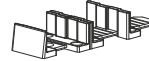
x2



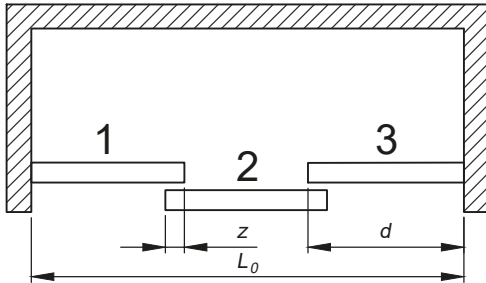
x2



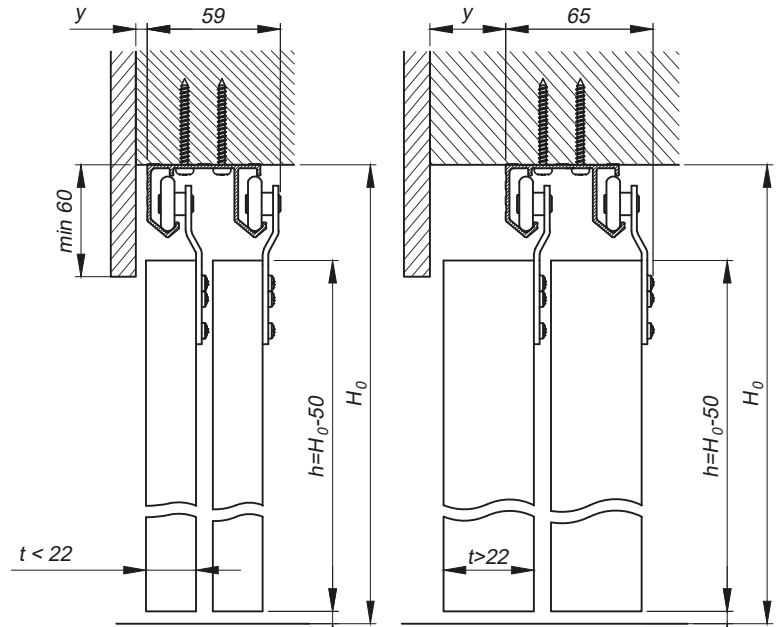
x1



x2



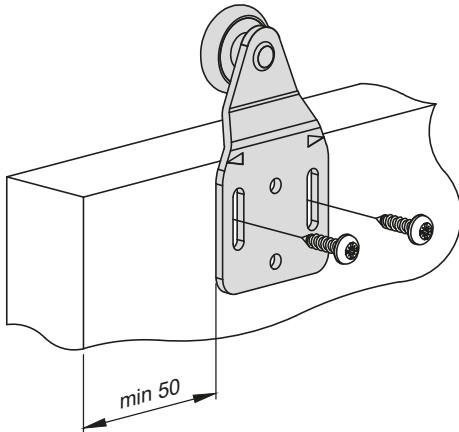
$$d = (L_0 + 2z) / 3$$



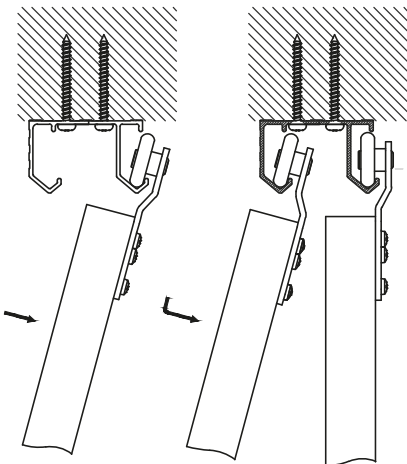
t [mm]	16	18	19	22
y [mm]	0	1	4	4 - 11

t [mm]	>22
y [mm]	t-9

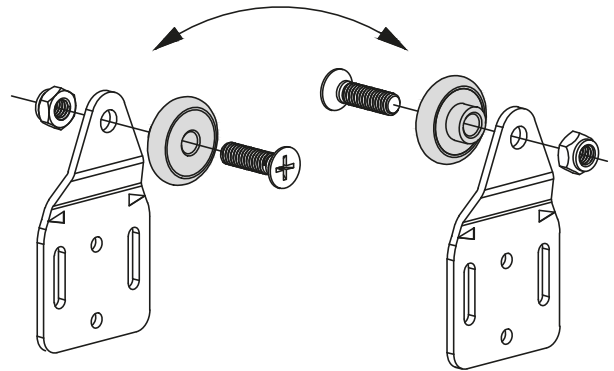
1



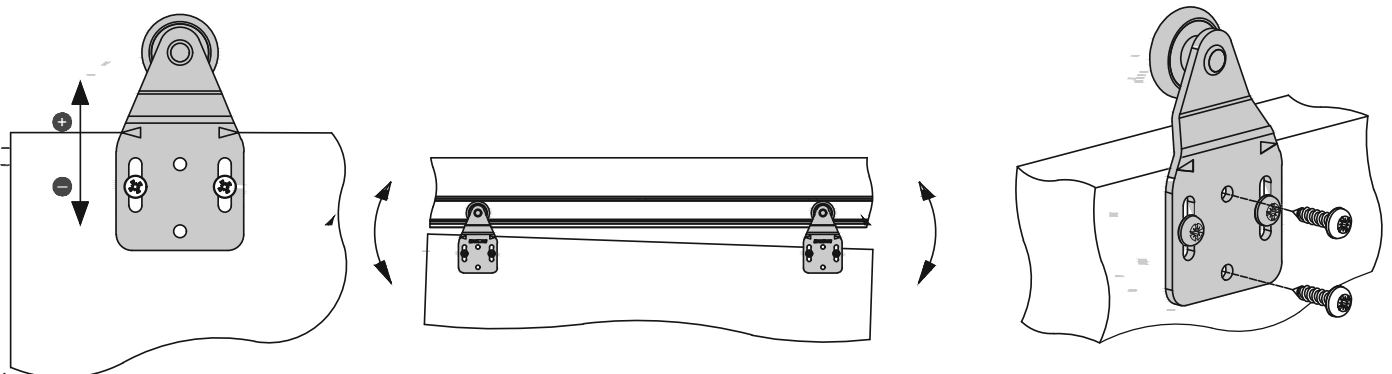
2



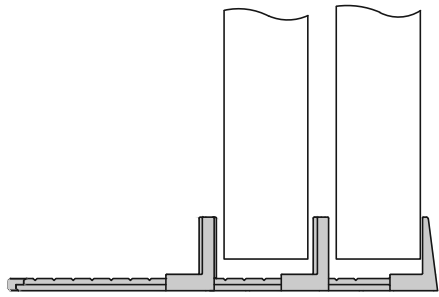
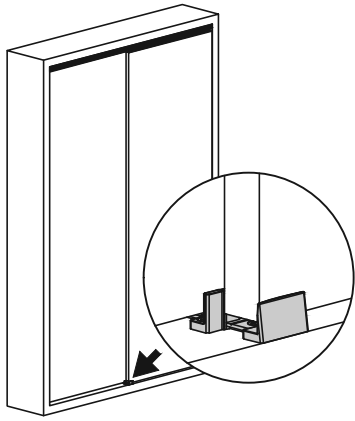
3



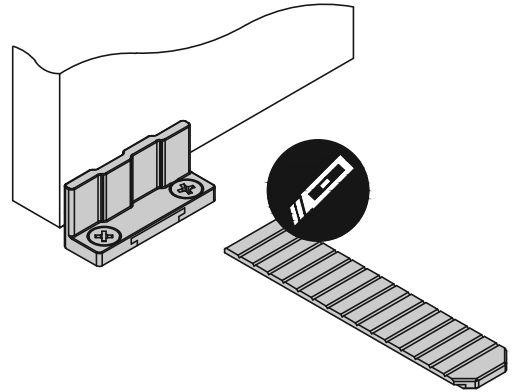
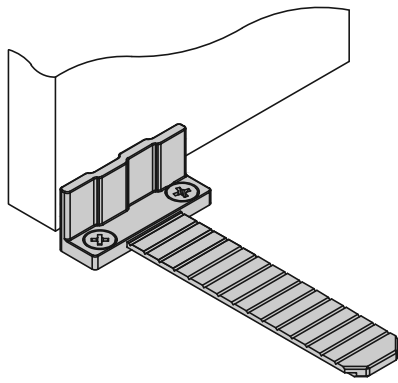
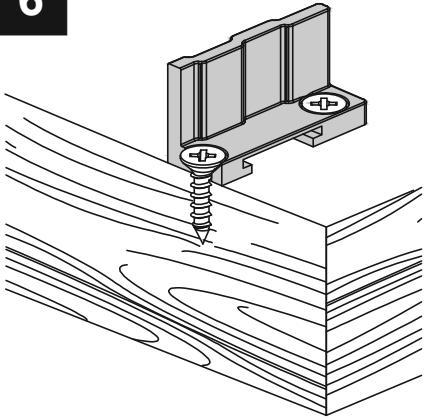
4



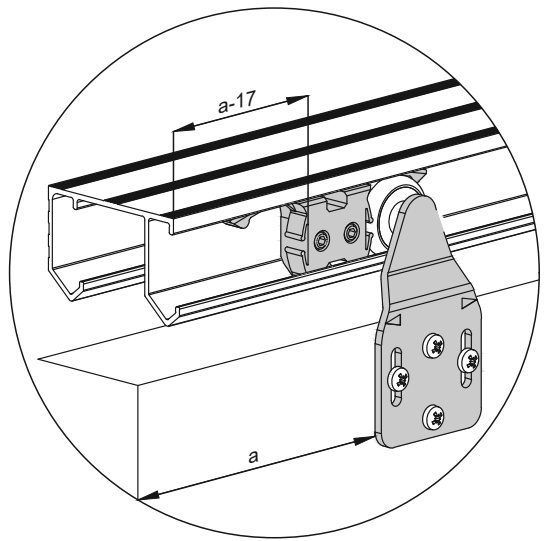
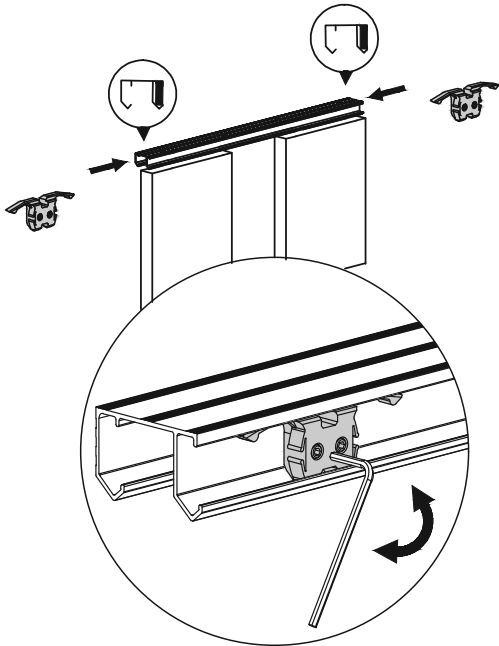
5



6



7



8

